

THE ART OF STORAGE SOLUTIONS

Elevating Style and Function Beyond Limits

| 2024 Accessory Program



Become Inspired

Innovation Cabinetry® and Rev-A-Shelf® join forces to redefine organizational excellence. Rev-A-Shelf® stands as a global leader in top-tier residential cabinet storage solutions.

This collaborative venture seamlessly blends the Rev-A-Shelf® innovative prowess with the Innovation Cabinetry® craftsmanship and value, creating a harmonious fusion that goes beyond the ordinary. With a shared commitment to cutting-edge approaches and customer-centric solutions, our collaboration is a testament to a culture of ingenuity. This curated catalog showcases the result – a transformative experience where two industry leaders converge to set a new standard for excellence, optimizing every space with innovation and refined craftsmanship.

Welcome to a world where collaboration breeds innovation and your organizational needs find a new pinnacle of fulfillment.

2024 Accessory Program The Ultimate Collaboration of Premium Cabinetry with Innovative Accessories

INNOVATION



Steel Bottom Mount Waste Container

- Designed for 15" and 18" base cabinets
- Powder-coated wire frame
- Full-extension, progressive roller slides w/ soft-close
- Mounts to cabinet door and floor
- Pre-assembled door-mount brackets

Steel Bottom Mount Waste Container Pullouts w/ Soft-Close Slides

| PRODUCT | DESCRIPTION | DIMS | CAB | FINISH |
|--------------|---------------|---|--------|------------|
| RV-BWB15GRAY | Double 27 qt. | 11-1/4" (287 mm) W x 22-3/32" (562 mm) D x 18-15/16" (482 mm) H | UB-B15 | Orion Gray |
| RV-BWB18GRAY | Double 35 qt. | 14-3/8" (366 mm) W x 22-3/32" (562 mm) D x 19" (483 mm) H | UB-B18 | Orion Gray |

Wood Waste Container

- Natural maple dovetail frame with semi-gloss finish
- Undermount soft-close slides
- Comes with silver waste bins
- TSCA Title VI Compliant



Value Line Bottom Mount Waste Container Drawer Box w/ Soft-Close Slides

| PRODUCT | DESCRIPTION | DIMS | CAB | FINISH |
|---------------|---------------|--|-----|-------------|
| RV-BWB15NMDBL | Double 27 qt. | 11-1/2" (293 mm) W x 21-1/2" (547 mm) D x 19-11/16" (501 mm) H | B15 | Silver/Wood |
| RV-BWB18NMDBL | Double 35 qt. | 14-1/2" (369 mm) W x 21-1/2" (547 mm) D x 19-5/8" (499 mm) H | B18 | Silver/Wood |
| RV-BWB21NMDBL | Double 35 qt. | 17-1/2" (445 mm) W x 21-17/32" (548 mm) D x 19-5/8" (499 mm) H | B21 | Silver/Wood |



Aluminum Bottom Mount Waste Container

- Designed for 15" and 18" base cabinets
- 10" high door-mountable aluminum frame
- Full-extension with 1-1/2" over-travel slides w/ soft-close
- Mounts to cabinet door and floor
- Built-in door-mount brackets

Aluminum Bottom Mount Waste Container Pullouts w/ Soft-Close

| PRODUCT | DESCRIPTION | DIMS | CAB | FINISH |
|---------------------|---------------|---|-------------|-------------|
| RV-BWB15GRAYPREMIER | Double 27 qt. | 11-11/16" (297 mm) W x 22-7/32" (565 mm) D x 18-29/32" (481 mm) H | B15, UB-B15 | Silver/Alum |
| RV-BWB18GRAYPREMIER | Double 35 qt. | 14-25/32" (376 mm) W x 22-3/32" (562 mm) D x 19-1/32" (484 mm) H | B18, UB-B18 | Silver/Alum |

Single 30 qt. LEGRABOX Bottom Mount Waste Container w/ Soft-Close

- Designed for 12" cabinets
- Orion gray LEGRABOX frame w/ maple wood top (walnut top shown)
- Single 30 qt. Orion Gray polymer waste container
- BLUM undermount soft-close slides
- Mounts to cabinet door and side walls
- TSCA Title VI Compliant



LEGRABOX Bottom Mount Waste Container Pullouts w/ Soft-Close

| PRODUCT | DESCRIPTION | DIMS | CAB | FINISH |
|----------------|---------------|--|-----|-------------------|
| RV-BWB12GRAYMT | Single 30 qt. | 10-1/2" (267 mm) W x 21-23/32" (552 mm) D x 19-19/32" (498 mm) H | B12 | Orion Gray/ Maple |



Wood Pullout Base Cabinet Organizer

- Natural maple construction with semi-gloss finish
- BLUM undermount soft-close slides
- Fully assembled and fits into an existing full-height cabinet
- Adjustable rub bushings for a precise fit
- Adjustable and/or removeable shelves with chrome rails
- Patented door-mount brackets (US Patent No. 8,388,076)
- TSCA Title VI Compliant

Full Access Base Cabinet Pullout w/ BLUM Soft-Close

| PRODUCT | DESCRIPTION | DIMS | CAB | FINISH |
|---------------|----------------|--|----------|--------|
| RV-B6.5NMCOSC | Base Organizer | 7-1/4" (185 mm) W x 21-5/8" (550 mm) D x 25-1/2" (648 mm) H | UB-B09-F | Maple |
| RV-B9.5NMCOSC | Base Organizer | 10-1/4" (261 mm) W x 21-5/8" (550 mm) D x 25-1/2" (648 mm) H | UB-B12-F | Maple |



Wood Pullout Base Cabinet Organizer w/ Utensil Bins

- Natural maple construction with semi-gloss finish
- BLUM undermount soft-close slides
- Fully assembled and fits into an existing full-height cabinet
- TSCA Title VI Compliant

Full Access Base Cabinet Pullout w/ (3) Utensil Bins and BLUM Soft-Close

| PRODUCT | DESCRIPTION | DIMS | CAB | FINISH |
|---------------|------------------------------------|--|----------|--------|
| RV-B6.5NMC0UB | Base Organizer w/ (3) 1.25 qt Bins | 7-1/8" (181 mm) W x 21-21/32" (550 mm) D x 25-1/2" (648 mm) H | UB-B09-F | Maple |
| RV-B9.5NMC0UB | Base Organizer w/ (3) 2 qt Bins | 10-1/8" (258 mm) W x 21-21/32" (550 mm) D x 25-1/2" (648 mm) H | UB-B12-F | Maple |



Wood Pullout Base Cabinet Organizer w/ Knife Block & Utensil Bins

- Natural maple construction with a semi-gloss finish
- (1) removable stainless-steel bin
- Knife block features flex rod technology that adjusts to securely hold knives
- (4) color-coded flexible, dishwasher safe cutting mats with food icons to prevent cross-contamination
- Adjustable accessory and lower static shelf with chrome rails
- Patented door mount brackets provide 5" of door mounting adjustability and include micro door trim adjustment (US Patent No. 8,388,076)
- Patented design (US Patent No. 10,799,020)
- TSCA Title VI Compliant

Full Access Base Cabinet Pullout w/ Knife Block and Utensil Bins w/ BLUM Soft-Close

| PRODUCT | DESCRIPTION | DIMS | CAB | FINISH |
|---------------------|------------------------------------|--|----------|--------|
| RV-B6.5GRAYUT-KNFPO | Base Organizer w/ (1) 1.25 qt. Bin | 7-1/8" (182 mm) W x 21-5/8" (550 mm) D x 25-1/2" (648 mm) H | UB-B09-F | Maple |
| RV-B9.5GRAYUT-KNFPO | Base Organizer w/ (1) 2 qt. Bin | 10-1/8" (258 mm) W x 21-5/8" (550 mm) D x 25-1/2" (648 mm) H | UB-B12-F | Maple |



Paper Towel Holder Pullout

- Natural maple construction with semi-gloss finish
- BLUM undermount soft-close slides
- Fully assembled and fits into an existing full-height cabinet for easy accessibility
- Adjustable rub bushings for a precise fit
- Fits standard large rolls of paper towels for easy accessibility
- Patented door mount brackets (US Patent No. 8,388,076)
- TSCA Title VI Compliant

Paper Towel Holder Base Cabinet Pullout w/ BLUM Soft-Close

| PRODUCT | DESCRIPTION | DIMS | CAB | FINISH |
|---------------|---------------------|--|----------|--------|
| RV-B6.125NMPH | Paper Towel Pullout | 6-7/8" (175 mm) W x 21-23/32" (552 mm) D x 26-29/32 - 30-7/8" (684 - 785 mm) H | UB-B09-F | Maple |



Base Cabinet Filler w/ Soft-Close

- 3" or 6" base filler applications
- Natural maple construction with semi-gloss finish
- Creates a functional storage space behind decorative panels
- Adjustable and/or removable shelves
- TSCA Title VI Compliant

Base Cabinet Filler w/ BLUM Soft-Close

| PRODUCT | DESCRIPTION | DIMS | CAB | FINISH |
|-----------|--------------------------|---|----------------|--------|
| RV-B3NMBF | 3" Base Filler Organizer | 3" (77 mm) W x 23" (585 mm) D x 30" (762 mm) H | WF330, UB-F330 | Maple |
| RV-B6NMBF | 6" Base Filler Organizer | 6" (153 mm) W x 23" (585 mm) D x 30" (762 mm) H | WF630, UB-F630 | Maple |



Tray Divider Foil Wrap Holder Pullout

- Natural maple construction with semi-gloss finish
- BLUM undermount soft-close slides
- Organize cookie sheets, platter, baking pans, etc.
- Removable center T-Bar divider for taller items
- Fully assembled and fits into an existing full-height cabinet
- Adjustable rub bushings for a precise fit
- TSCA Title VI Compliant

Full Access Base Cabinet Pullout Tray Divider/Foil Wrap Holder w/ BLUM Soft-Close

| PRODUCT | DESCRIPTION | DIMS | CAB | FINISH |
|-------------|----------------------|---|----------|--------|
| RV-B6.5NMTD | Base Cabinet Pullout | 7-1/8" (181 mm) W x 21-21/32" (551 mm) D x 19-1/2" (496 mm) H | UB-B09-F | Maple |

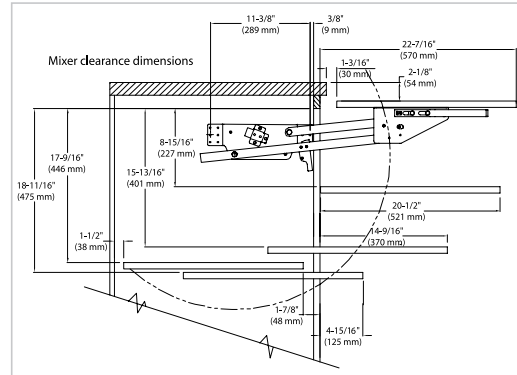
Mixer Lift w/ Walnut Shelf

- Designed for 18" full-height cabinets
- Heavy-duty Orion Gray metal frame w/ walnut shelf
- Soft-Close Dampener allow it to glide back into the cabinet gently and quietly
- Spring loaded system gently assists the movement of small appliances to counter height
- (3) weight rating settings that will hold up to 60lbs
- TSCA Title VI Compliant



ML-WNHDSOG-18FL
Soft-Close Mixer Lift Kit
(Walnut/Orion Gray finish shown)

Shelf Dimensions
Walnut (full access): 13-1/4" (336 mm) W x
20" (508 mm) D x 1-3/8" (35 mm) H
Note: Shelves are only sold in kits with the mixer lift.



Heavy Duty Mixer Lift Kit w/ Soft-Close

| PRODUCT | DESCRIPTION | DIMS | CAB | FINISH |
|----------|----------------|------------------|----------|------------|
| RV-18WML | Mixer Lift Kit | See Illustration | UB-B18-F | Orion Gray |

Contemporary Base Cabinet Pullouts

- Designed for full height base cabinet
- Orion gray flat wire w/ textured linen finish
- Fully assembled and fits into an existing full-height cabinet
- Solid bottom shelves keep items from falling thru or tipping
- Shelves are not adjustable
- Patented door mount brackets (US Patent No. 8,388,076)
- TSCA Title VI Compliant



Full Access Contemporary Base Cabinet Pullout w/ BLUM Soft-Close

| PRODUCT | DESCRIPTION | DIMS | CAB | FINISH |
|---------------|----------------|--|----------|------------|
| RV-B6.5GRAYPO | Base Organizer | 7-1/4" (185 mm) W x 21-11/16" (551 mm) D x 24-1/4" (616 mm) H | UB-B09-F | Orion Gray |
| RV-B9.5GRAYPO | Base Organizer | 10-1/4" (261 mm) W x 21-11/16" (551 mm) D x 24-1/4" (616 mm) H | UB-B12-F | Orion Gray |

Contemporary Base Cabinet Pullouts w/ Knife Block

- Designed for full height base cabinet
- Orion gray flat wire w/ textured linen finish
- Fully assembled and fits into an existing full-height cabinet
- Solid bottom shelves keep items from falling thru or tipping
- Comes w/ (1) flex rod knife block and (1) removable stainless-steel bin
- BLUM undermount soft-close slides
- Shelves are not adjustable
- Patented door mount brackets (US Patent No. 8,388,076)
- TSCA Title VI Compliant



Full Access Contemporary Knife Block Base Cabinet Pullout w/ BLUM Soft-Close

| PRODUCT | DESCRIPTION | DIMS | CAB | FINISH |
|-----------------|---------------------------|---|----------|------------|
| RV-B6.5GRAYPOKB | Base Organizer w/ (1) Bin | 7-1/4" (185 mm) W x 21-11/16" (551 mm) D x 24-1/4" (616 mm) H | UB-B09-F | Orion Gray |

Contemporary Base Cabinet Pullouts w/ Utensil Bins

- Designed for full-height base cabinets
- Orion gray flat wire w/ textured linen finish
- Fully assembled and fits into an existing full-height cabinet
- Solid bottom shelves keep items from falling through or tipping
- Comes w/ (3) 1.25 qt. removable stainless-steel bins
- BLUM undermount soft-close slides
- Shelves are not adjustable
- Patented door mount brackets (US Patent No. 8,388,076)
- TSCA Title VI Compliant



Full Access Contemporary Base Cabinet Pullout w/ (3) Utensil Bins and BLUM Soft-Close

| PRODUCT | DESCRIPTION | DIMS | CAB | FINISH |
|-----------------|----------------|---|----------|------------|
| RV-B6.5GRAYPOUB | Base Organizer | 7-1/4" (185 mm) W x 21-11/16" (551 mm) D x 24-1/4" (616 mm) H | UB-B09-F | Orion Gray |

Casserole Dish Organizer w/ Soft-Close

- Natural maple dovetail construction w/ semi-gloss finish
- Store heavy platters, dishes, pans all at your fingertips
- Customize drawer compartment with included removable dividers
- Mounts to cabinet floor
- TSCA Title VI Compliant



Casserole Dish Organizer w/ BLUM Soft-Close

| PRODUCT | DESCRIPTION | DIMS | CAB | FINISH |
|---------------|--------------------------|---|-----------|--------|
| RV-B18NMCASSO | Casserole Dish Organizer | 14-1/2" (369 mm) W x 22-3/32" (562 mm) D x 10-1/2" (267 mm) H | B18, DB18 | Maple |

Gray Flexible Drip Tray

- Designed for kitchen and vanity sink base cabinets
- Flexible design allows for use with existing or new cabinets
- Funnels excessive water out the front of your cabinets
- Can be trimmed with scissors for a perfect fit



| Flexible Drip Tray | | | | |
|-----------------------------|-------------|---|------------|--------|
| PRODUCT | DESCRIPTION | DIMS | CAB | FINISH |
| RV-B27/30GRAYDT | Drip Tray | 25-1/2" - 28-1/2" (648 - 724 mm) W x 21-1/2" - 23-1/4" (547 - 591 mm) D x 3/4" (20 mm) H | SB27, SB30 | Gray |
| RV-B33/36GRAYDT | Drip Tray | 31-1/2" - 34-1/2" (801 - 877 mm) W x 21-1/2" - 23-1/4" (547 - 591 mm) D x 3/4" (20 mm) H | SB33, SB36 | Gray |
| RV-B39/42GRAYDT | Drip Tray | 37-1/2" - 40-1/2" (953 - 1029 mm) W x 21-1/2" - 23-3/4" (547 - 604 mm) D x 3/4" (20 mm) H | SB39, SB42 | Gray |
| Flexible Drip Tray (Vanity) | | | | |
| RV-VB21/24GRAYDT | Drip Tray | 22-1/2" (572 mm) W x 20-1/4" (515 mm) D x 3/4" (19 mm) H | VSB24 | Gray |
| RV-VB27/30GRAYDT | Drip Tray | 28-1/2" (724 mm) W x 20-1/4" (515 mm) D x 3/4" (19 mm) H | VSB30 | Gray |
| RV-VB33/36GRAYDT | Drip Tray | 34-1/2" (876 mm) W x 20-1/4" (515 mm) D x 3/4" (19 mm) H | SB33, SB36 | Gray |



Orion Gray U-Shaped Solid & Full Bottom Shelves

- Designed for 33" and 36" Sink Base Cabinets
- Orion gray solid bottom shelves w/ flat wire frame
- Stack multiple baskets to maximize organization
- BLUM undermount soft-close slides
- Mounts to cabinet floor or side walls
- Pre-assembled door mount brackets
- U-Shaped fits around plumbing
- TSCA Title VI Compliant

Full Access U-Shaped Solid Bottom Shelf w/ BLUM Soft-Close

| PRODUCT | DESCRIPTION | DIMS | CAB | FINISH |
|------------------|--------------------|--|------|------------|
| RV-B33GRAYUSHPSB | Solid Bottom Shelf | 29-11/16" - 32" (754 - 813 mm) W x 21-17/32" (551 mm) D x 5-1/16" (146 mm) H | SB33 | Orion Gray |
| RV-B36GRAYUSHPSB | Solid Bottom Shelf | 32-11/16" - 35" (830 - 889 mm) W x 21-17/32" (551 mm) D x 5-1/16" (146 mm) H | SB36 | Orion Gray |



Solid Bottom Pullout Shelf

- Designed for 36" base cabinets
- Solid bottom shelves with chrome-plated wire, gray or natural maple, or orion gray flat wire with satin solid bottom
- Full-extension, undermount slides w/ BLUM soft-close
- Side and bottom mounting brackets
- Door-mounting brackets included
- TSCA Title VI compliant

Face Frame Solid Bottom Pullout Shelf w/ BLUM Soft-Close

| PRODUCT | DESCRIPTION | DIMS | CAB | FINISH |
|-----------------|--------------------|--|-----------|------------|
| RV-B36GRAYSBOSM | Solid Bottom Shelf | 32-11/16" (831 mm) W x 21-17/32" (547 mm) D x 5-1/16" (129 mm) H | SB36, B36 | Orion Gray |

Contemporary Cutlery Tray Insert

- Polystyrene construction with glossy finish in Orion gray
- Trim-to-fit existing drawer
- Drop-in installation
- Up to (6) compartments



| Glossy Polymer Cutlery Tray | | | | |
|-----------------------------|--------------|--|-----------|---------|
| PRODUCT | DESCRIPTION | DIMS | CAB | FINISH |
| RV-DB18GRAYCT | Cutlery Tray | 14-1/4" (362 mm) W x 21-1/4" (540 mm) D x 2-3/8" (61 mm) H | B18, DB18 | Polymer |
| RV-DB24GRAYCT | Cutlery Tray | 21-7/8" (556 mm) W x 21-1/4" (540 mm) D x 2-3/8" (61 mm) H | B24, DB24 | Polymer |



Drawer Peg System

- Recommended for 8" or deeper drawers
- Natural maple construction with semi-gloss finish
- Trim-to-Fit existing drawer
- Includes pegs
- Perfect for dishes and other platters
- Drop-in installation
- TSCA Title VI Compliant

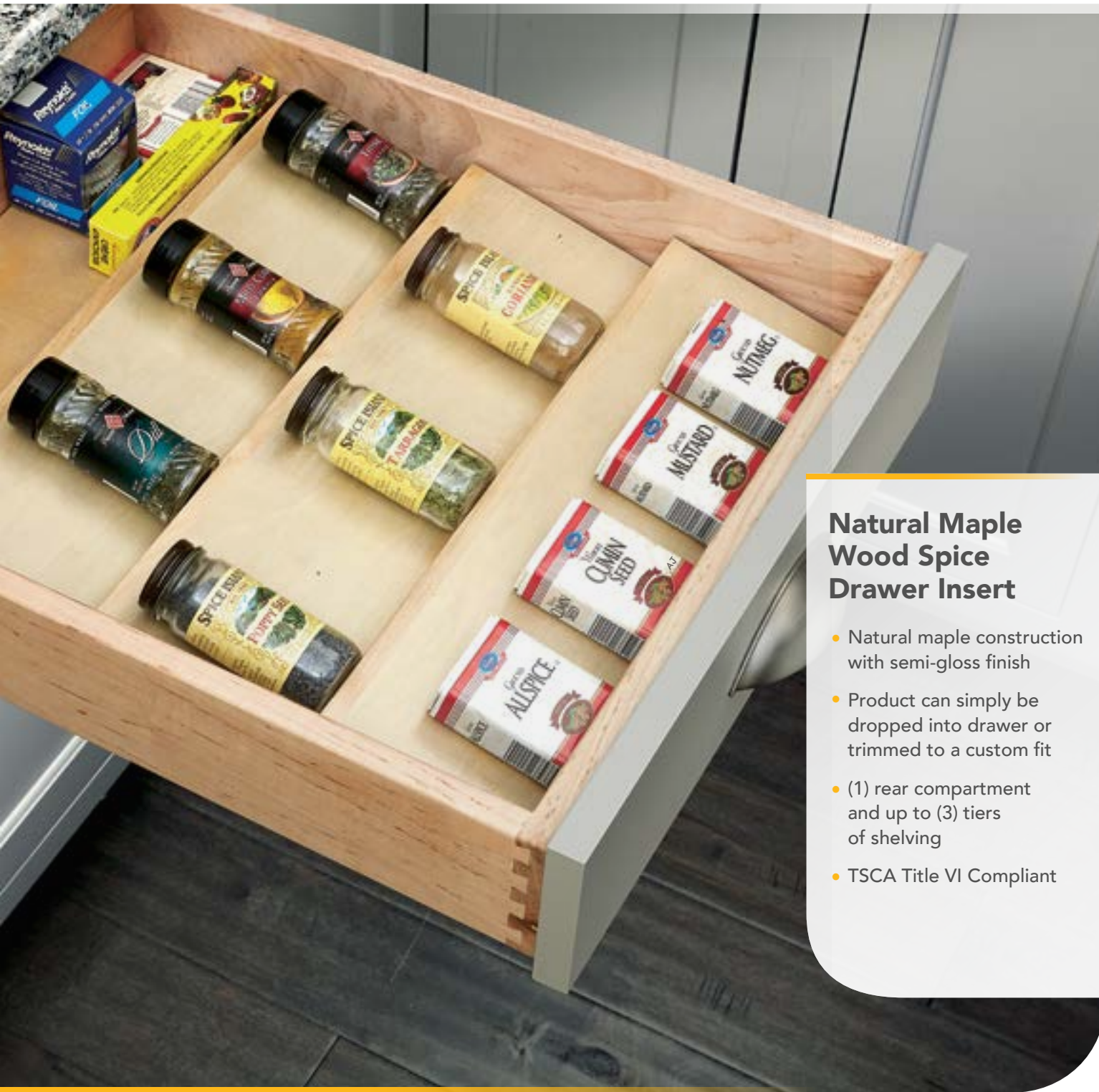
| Drawer Peg System | | | | |
|-------------------|-------------------------|---|---------------------------------|--------|
| PRODUCT | DESCRIPTION | DIMS | CAB | FINISH |
| RV-DBNMSPEG | Peg System w/ (9) Pegs | 24-1/4" (616 mm) W x 21-1/4" (540 mm) D x 6-5/8" (168 mm) H | DB27-3 W/O Trim, DB24-3 W/ Trim | Maple |
| RV-DBNMMPEG | Peg System w/ (12) Pegs | 30-1/4" (768 mm) W x 21-1/4" (540 mm) D x 6-5/8" (168 mm) H | DB33 W/O Trim, DB30 W/ Trim | Maple |
| RV-DBNMLPEGA | Peg System w/ (16) Pegs | 39-1/4" (997 mm) W x 21-1/4" (540 mm) D x 6-5/8" (168 mm) H | DB36 W/ Trim | Maple |
| Accessories | | | | |
| RV-NMPEG-4 | (4) Maple Pegs | 1-5/8" (41 mm) W x 1-5/8" (41 mm) D x 6-1/2" (165 mm) H | N/A | Maple |



Contemporary Drawer Peg Board

- Natural maple construction with sound dampening vinyl covering
- Perfect for dishes or other platters
- Trim to fit
- Stainless-steel pegs sold separately (RV-GRAYPEG-4)
- TSCA Title VI Compliant

| Drawer Peg Board - No Pegs | | | | |
|----------------------------|--------------------------|--|----------------------------|-----------------|
| PRODUCT | DESCRIPTION | DIMS | CAB | FINISH |
| RV-GRAY24PEG | Vinyl Drawer Peg Board | 24-1/8" (613 mm) W x 21-1/4" (540 mm) D x 5/8" (16 mm) H | DB-(24-36)-2, DB-(24-36)-3 | Vinyl |
| RV-GRAY30PEG | Vinyl Drawer Peg Board | 30-1/8" (765 mm) W x 21-1/4" (540 mm) D x 5/8" (16 mm) H | DB-(24-36)-2, DB-(24-36)-3 | Vinyl |
| RV-GRAY39PEG | Vinyl Drawer Peg Board | 39-1/8" (994 mm) W x 21-1/4" (540 mm) D x 5/8" (16 mm) H | DB-(24-36)-2, DB-(24-36)-3 | Vinyl |
| Accessories | | | | |
| RV-GRAYPEG-4 | (4) Stainless-Steel Pegs | 1-1/4" (32 mm) W x 1-1/4" (32 mm) D x 6" (153 mm) H | N/A | Stainless Steel |



Natural Maple Wood Spice Drawer Insert

- Natural maple construction with semi-gloss finish
- Product can simply be dropped into drawer or trimmed to a custom fit
- (1) rear compartment and up to (3) tiers of shelving
- TSCA Title VI Compliant

Wood Spice Drawer Insert

| PRODUCT | DESCRIPTION | DIMS | CAB | FINISH |
|--------------------|---------------------|---|---------|--------|
| RV-B12-18NMDISPICE | Spice Drawer Insert | 16" (407 mm) W x 19-3/4" (502 mm) D x 1-9/16" (39 mm) H | B12-B18 | Maple |



Wood Knife Block Inserts

- Natural maple construction with semi-gloss finish
- Trim-to-fit existing drawer
- Drop-in installation
- (1) compartment and up to (19) w/ knife slots
- TSCA Title VI Compliant

| Wood Knife Block Insert | | | | |
|-------------------------|--------------------|--|-----|--------|
| PRODUCT | DESCRIPTION | DIMS | CAB | FINISH |
| RV-B18NMKBWD | Knife Block Insert | 18-1/2" (470 mm) W x 22" (559 mm) D x 2-3/8" (60 mm) H | B21 | Maple |



Cutlery Tray Inserts

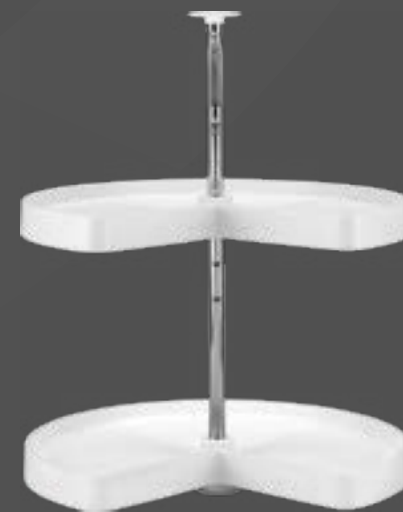
- Trim-to-fit existing drawer
- Drop-in installation
- Maple construction with semi-gloss finish or walnut construction with satin finish
- Up to (9) compartments
- TSCA Title VI compliant

| Wood Cutlery Tray Insert | | | | |
|--------------------------|--------------|--|---------|--------|
| PRODUCT | DESCRIPTION | DIMS | CAB | FINISH |
| RV-B12-18NMDI | Cutlery Tray | 14-5/8" (372 mm) W x 22" (559 mm) D x 2-7/8" (73 mm) H | B12-B18 | Maple |



Maple (2) Shelf Wood Kidney-Shaped Lazy Susan

- 2" wood rim
- Doweled (2) butt joint
- 5/8" thick maple shelf bottom
- Independently rotating
- Almond hardware
- Designed for corner base cabinet
- TSCA Title VI Compliant



(2) Shelf Banded Wood Lazy Daisy w/ 28"-31" (711-788 mm) Telescoping Post

| PRODUCT | DESCRIPTION | DIMS | CAB | FINISH |
|--------------|---------------|-----------------------|-------|--------|
| RV-B28NMKSLZ | (2) Shelf Set | 28" (711 mm) Diameter | BLS33 | Maple |
| RV-B32NMKSLZ | (2) Shelf Set | 32" (813 mm) Diameter | BLS36 | Maple |

(2) Shelf Polymer Lazy Daisy w/ 26"-31" Telescoping Post

| | | | | |
|---------------|---------------|-----------------------|-------|---------|
| RV-B28WHTKSLZ | (2) Shelf Set | 28" Diameter (711 mm) | BLS33 | Polymer |
| RV-B32WHTKSLZ | (2) Shelf Set | 32" Diameter (813 mm) | BLS36 | Polymer |



Orion Gray Kidney-Shaped Lazy Susan

- Designed for 36" corner base cabinets
- Orion gray solid bottom shelves
- Shelves are adjustable
- Independently rotating hardware and chrome-plated telescoping posts
- TSCA Title VI Compliant

(2) Shelf Solid Bottom Kidney-Shaped Lazy Susans for 36" Kidney Cabinets

| PRODUCT | DESCRIPTION | DIMS | CAB | FINISH |
|----------------|---------------|-----------------------|-------|------------|
| RV-B32GRAYKSLZ | (2) Shelf Set | 32" (813 mm) Diameter | BLS36 | Orion Gray |



Contemporary Girasolo Blind Corner Optimizer

- Designed for 12" & 15" blind corner openings
- Double maple solid bottom adjustable shelves w/ round wire design
- Soft-opening and closing systems
- Options for both left and right blind corner cabinets
- Italian design
- TSCA Title VI Compliant

Two-Tier Blind Corner Optimizer for Right Door/Blind Left Cabinets

| PRODUCT | DESCRIPTION | DIMS | CAB |
|---------------|--------------------------------|---|------------|
| RV-BB12NMBCOR | Double for 12" Cabinet Opening | 32-23/32" (832 mm) W x 14-13/32" (367 mm) D x 24-13/32 - 30-11/16" (621 - 780 mm) H | BBC42-LEFT |
| RV-BB15NMBCOR | Double for 15" Cabinet Opening | 35-1/2" (902 mm) W x 16-7/16" (418 mm) D x 24-1/2 - 30-1/2" (623 - 775 mm) H | BBC45-LEFT |

Two-Tier Blind Corner Optimizer for Left Door/Blind Right Cabinets

| PRODUCT | DESCRIPTION | DIMS | CAB |
|---------------|--------------------------------|---|-------------|
| RV-BB12NMBCOL | Double for 12" Cabinet Opening | 32-23/32" (832 mm) W x 14-13/32" (367 mm) D x 24-13/32 - 30-11/16" (621 - 780 mm) H | BBC42-RIGHT |
| RV-BB15NMBCOL | Double for 15" Cabinet Opening | 35-1/2" (902 mm) W x 16-7/16" (418 mm) D x 24-1/2 - 30-1/2" (623 - 775 mm) H | BBC45-RIGHT |

Half Moon Maple Susan for Blind Corner Cabinets

- Designed for 12" blind corner cabinet openings
- Double solid bottom natural wood shelves w/ chrome-plated shafts
- Pivot and Slide hardware
- Non-handed - can fit left or right blind cabinets
- TSCA Title VI Compliant



Natural Wood Pivot and Slide Half-Moon 2-Shelf Organizer for Blind Corner Cabinets

| PRODUCT | DESCRIPTION | DIMS | CAB | FINISH |
|---------------|-------------------------------------|---|-------|--------|
| RV-B32NMOONLZ | Natural Wood Half Moon (2) Tray Set | 32-1/4" (819 mm) W x 14-1/16" (357 mm) D x 16" (406 mm) H | BBC39 | Maple |



Orion Gray Solid Bottom Blind Corner Optimizer

- Designed for 15" & 18" blind corner cabinet openings
- (4) Textured linen solid bottom shelves with orion grays
- Non-Handed - can fit either left or right blind cabinets
- Baskets are adjustable and removeable for shorter/taller items
- Unit slides completely outside of cabinet for hard to reach items
- Mounts to cabinet floor
- Full-extension, ball-bearing slides w/ soft-close
- TSCA Title VI Compliant

Two-Tier Solid Bottom Blind Corner Optimizer - Non-Handed w/ Soft-Close

| PRODUCT | DESCRIPTION | DIMS | CAB | FINISH |
|----------------|---------------------------------|--|--------------|------------|
| RV-BB15GRAYBCO | Two-Tier Blind Corner Optimizer | 26-1/4" (667 mm) W x 20-1/4" (514 mm) D x 21" (533 mm) H | BBC42, BBC45 | Orion Gray |

Elite Two-Tier Solid Bottom Blind Corner Optimizer - Non-Handed w/ Soft-Close

| | | | | |
|----------------|---------------------------------|--|-------|------------|
| RV-BB18GRAYBCO | Two-Tier Blind Corner Optimizer | 32-1/4" (820 mm) W x 20-13/32" (519 mm) D x 23-1/2" (597 mm) H | BBC45 | Orion Gray |
|----------------|---------------------------------|--|-------|------------|



Solid Bottom Pull-Down Shelving System

- Designed for a 24" & 36" frameless wall cabinets
- Solid bottom shelves
- Mounts to cabinet floor and side walls
- Gas-assisted with a lifting/lowering mechanism
- Locks into down position for hands-free accessibility
- TSCA Title VI Compliant

Solid Bottom Pull-Down Shelving System

| PRODUCT | DESCRIPTION | DIMS | CAB | FINISH |
|-------------|-------------|--|-------------|--------------------|
| RV-24FOG-PD | Pull-Down | 22-3/16" (564 mm) W x 10-1/8" (258 mm) D x 18-7/32" (463 mm) H | W2412-W2442 | Orion Gray/ Walnut |
| RV-36FOG-PD | Pull-Down | 34-1/32" (865 mm) W x 10-1/8" (258 mm) D x 18-7/32" (463 mm) H | W3612-W3642 | Orion Gray/ Walnut |



12" Chrome Tray Divider w/ Clips

- Mounts to cabinet floor and rear wall
- Works with base or wall cabinets
- Chrome-plated round wire
- Includes (4) screw-in clips and fasteners
- Use multiple to create custom storage space

Chrome Wire Tray Divider

| PRODUCT | DESCRIPTION | DIMS | FINISH |
|---------|-------------------------|--|-------------|
| RV-12TD | Tray Divider with Clips | 3/4" (20 mm) W x 19-21/32" (500 mm) D x 12" (305 mm) H | Chrome Wire |

Maple L-Shaped

- Designed for a 24" vanity base cabinet
- Natural maple dovetail construction w/ semi-gloss finish
- BLUM undermount soft-close slides
- Unique L-Shaped design works around plumbing and other obstructions
- Can be installed on left or right side



L-Shaped Vanity Organizer w/ BLUM Soft-Close

| PRODUCT | DESCRIPTION | DIMS | CAB | FINISH |
|---------------------|--------------------------|---|-------|--------|
| RV-VBWB24NMOL-SHAPE | Vanity Organizer for 24" | 8-1/2" (216 mm) W x 18-25/32" (478 mm) D x 18-7/8" (480 mm) H | VSB24 | Maple |

Maple U-Shaped Vanity Pullout w/ BLUM Soft-Close

- Designed for a 30" vanity base cabinet
- Natural maple dovetail construction w/ semi-gloss finish
- BLUM undermount soft-close slides
- Unique U-Shaped design works around plumbing and other obstructions
- Non-Skid Vinyl lining in lower shelf
- Patented design (US Patent No. D854,359)
- TSCA Title VI Compliant



U-Shaped Vanity Pullout w/ BLUM Soft-Close

| PRODUCT | DESCRIPTION | DIMS | CAB | FINISH |
|---------------|--------------|--|-------|--------|
| RV-B30NMVPOBM | Bottom Mount | 25-21/32" (652 mm) W x 18-11/16" (475 mm) D x 14-1/4" (362 mm) H | VSB30 | Maple |
| RV-B30NMVPOSM | Side Mount | 27-9/16 - 28-3/4" (700 - 731 mm) W x 19 - 20-3/4" (483 - 528 mm) D x 6-1/2" (166 mm) H | VSB30 | Maple |

Bottom Mount Vanity Waste Container w/ BLUM Soft-Close

- Natural maple dovetail frame with semi-gloss finish
- BLUM undermount soft-close slides
- Comes with (1) 20 qt. metallic silver waste container
- Rear storage area
- TSCA Title VI Compliant



Bottom-Mount Vanity Waste Container w/ BLUM Soft-Close

| PRODUCT | DESCRIPTION | DIMS | CAB | FINISH |
|-----------------|---------------|--|---------------------|-----------------------|
| RV-VBWB15NMWBMM | Single 20 qt. | 8-5/8" (220 mm) W x 18-9/16" (472 mm) D x 13-15/16" (355 mm) H | B15 (Reduced Depth) | Metallic Silver/Maple |

WARRANTY

As an Authorized Rev-A-Shelf Seller, Innovation Cabinetry ensures that the products we offer to our customers are covered by the existing Rev-A-Shelf Warranty detailed below. Please note that Innovation Cabinetry will not process any warranty claims. Instead, please contact Rev-A-Shelf® directly at 1.800.626.1126. Be prepared to provide information about the product and its condition, and the original date of purchase. Rev-A-Shelf® reserves the right to request proof of purchase at its sole discretion.

REV-A-SHELF® COMPANY, LLC (“REV-A-SHELF®”) WARRANTS ITS PRODUCTS (INCLUDING BUT NOT LIMITED TO THOSE WITH THE REV-A-SHELF® AND TRESKO LIGHTING® BRANDS) (HEREIN, “PRODUCTS”) TO BE FREE FROM DEFECTS IN MATERIAL AND WORKMANSHIP FOR A LIMITED PERIOD OF TIME FROM THE DATE OF ORIGINAL PURCHASE AS SPECIFIED IN THE REV-A-SHELF COMPANY, LLC LIMITED WARRANTY DURATION CHART (“DURATION CHART”) AT www.rev-a-shelf.com/our-warranty. YOU MAY ALSO CONTACT REV-A-SHELF® AT 1.800.626.1126 FOR A COPY OF THE DURATION CHART. THIS WARRANTY IS LIMITED TO THE ORIGINAL END USER OF THE PRODUCTS. BECAUSE REV-A-SHELF® CANNOT CONTROL THE QUALITY OF PRODUCTS SOLD BY UNAUTHORIZED SELLERS, THIS LIMITED WARRANTY APPLIES ONLY TO PRODUCTS THAT WERE PURCHASED FROM REV-A-SHELF OR A REV-A-SHELF® AUTHORIZED SELLER, UNLESS OTHERWISE PROHIBITED BY LAW. REV-A-SHELF® RESERVES THE RIGHT TO REJECT WARRANTY CLAIMS FOR PRODUCTS PURCHASED FROM UNAUTHORIZED SELLERS, INCLUDING UNAUTHORIZED INTERNET SITES.

THIS LIMITED WARRANTY ALSO DOES NOT COVER ANY DEFECTS DUE TO NORMAL WEAR AND TEAR, DAMAGE DUE TO MISUSE, ALTERATION TO THE PRODUCT, NEGLIGENCE, OR FOR ANY FAILURE OF THE PRODUCTS THAT RESULTS FROM EXTERNAL CAUSES SUCH AS: ACTS OF NATURE; PHYSICAL DAMAGE; EXPOSURE TO ADVERSE OR HAZARDOUS CHEMICAL OR OTHER SUBSTANCES, USE OF REACTIVE CLEANING AGENTS AND/OR HARSH CHEMICALS TO CLEAN THE PRODUCTS; ENVIRONMENTAL CONDITIONS; VANDALISM; FIRE; POWER FAILURE, IMPROPER POWER SUPPLY, POWER SURGES OR DIPS; IMPROPER USE, INSTALLATION, HANDLING, ALTERATION, STORAGE, THE FAILURE TO ABIDE BY ANY PRODUCT CLASSIFICATIONS OR CERTIFICATIONS, OR FAILURE TO COMPLY WITH ANY APPLICABLE STANDARDS, CODES, RECOMMENDATIONS, PRODUCT SPECIFICATION SHEETS OR INSTRUCTION SHEETS BY REV-A-SHELF®; FAILURES OR PERFORMANCE ISSUES ARISING FROM USE OF THE PRODUCTS WITH THIRD PARTY PRODUCTS, PROCESSES, OR MATERIALS SUPPLIED BY ANY END USER OR THIRD PARTY. THIS LIMITED WARRANTY ALSO DOES NOT COVER ANY REPLACEABLE BATTERIES INCLUDED WITH ITEMS OR CORDS OF ANY TYPE. THERE ARE NO WARRANTIES WHICH EXTEND BEYOND THOSE STATED HEREIN. ANY IMPLIED WARRANTIES THAT MAY BE APPLICABLE TO PRODUCTS, INCLUDING IMPLIED WARRANTIES OF MERCHANTABILITY OR FITNESS FOR A PARTICULAR PURPOSE, ARE LIMITED IN DURATION TO THE DURATION OF THIS WARRANTY. SOME STATES DO NOT ALLOW LIMITATIONS ON HOW LONG AN IMPLIED WARRANTY LASTS, SO THE ABOVE LIMITATION MAY NOT APPLY TO YOU.

REV-A-SHELF SHALL NOT BE LIABLE FOR INCIDENTAL OR CONSEQUENTIAL LOSSES, DAMAGES OR EXPENSES, DIRECTLY OR INDIRECTLY ARISING FROM THE SALE, HANDLING OR USE OF THE PRODUCTS, OR FROM ANY OTHER CAUSE RELATING DIRECTLY OR INDIRECTLY THERETO, AND REV-A-SHELF'S LIABILITY IN ANY CASE IS EXPRESSLY LIMITED TO THE REPAIR OR REPLACEMENT (IN THE FORM ORIGINALLY SHIPPED) OF THE DEFECTIVE PRODUCTS, OR, AT REV-A-SHELF'S ELECTION, TO THE REPAYMENT OF, OR CREDIT OF, CLAIMANT WITH AN AMOUNT EQUAL TO THE PURCHASE PRICE OF SUCH PRODUCT, WHETHER SUCH CLAIMS ARE FOR BREACH OF WARRANTY, NEGLIGENCE, OR OTHERWISE. ANY ACTION FOR DAMAGE MUST BE COMMENCED AFTER THE ACCRUAL OF THE CAUSE OF ACTION. SOME STATES DO NOT ALLOW THE EXCLUSION OR LIMITATION OF INCIDENTAL OR CONSEQUENTIAL DAMAGES, SO THE ABOVE LIMITATION OR EXCLUSION MAY NOT APPLY TO YOU. THIS WARRANTY GIVES YOU SPECIFIC LEGAL RIGHTS, AND YOU MAY ALSO HAVE OTHER RIGHTS WHICH VARY FROM STATE TO STATE.

To make a warranty claim, please contact Rev-A-Shelf® at 1.800.626.1126 and be prepared to answer questions regarding the Product and its condition, the original date of purchase, and from whom you purchased the Product. Rev-A-Shelf® reserves the right to request proof of purchase, in its sole discretion. Rev-A-Shelf® shall have the right to require the claimant, at claimant's expense, to return to a designated factory for inspection or repair any Product claimed to be defective. The determination of Rev-A-Shelf® as to the existence of a valid claim for replacement, repair, refund, or Rev-A-Shelf® credit under this warranty, shall be conclusive. Claimant shall be responsible for the labor costs in removing a defective Product. Claimant shall also be responsible for the shipping and handling costs associated with any repaired product or replacement product. In limited circumstances, Rev-A-Shelf®, in its sole discretion, may waive such fees. Replacement parts shall be furnished F.O.B. factory. Any Product that is returned without production code stickers or stamps will automatically be denied under these warranty terms.

AMERICAN PROUD

Rev-A-Shelf® is a Louisville-based and family-owned business for 3 generations. We are proud to partner with them to strengthen the success of American-based businesses.

GET SOCIAL WITH US!

Follow Innovation cabinetry on Facebook, Instagram, YouTube, LinkedIn and Pinterest



We love to see your projects. Tag us on Instagram @Innovationcabinetry



INNOVATION CABINETS

7030 Anderson Road | Tampa, Florida | 33634

727-535-7667 | 888-206-1088 | fax 813-884-0007 | info@innovationcabinetry.com

www.innovationcabinetry.com

GET SOCIAL WITH US:



DISCLAIMER: The cabinetry featured in this catalog is intended for display purposes only and does not represent the products carried by Innovation Cabinetry. The images and designs are provided solely for illustrative and promotional use. For accurate information regarding Innovation Cabinetry's current product offerings, please visit www.innovationcabinetry.com or contact our sales team directly.