

STORAGE SOLUTIONS

The Ultimate Guide to Efficient Kitchen & Bath Storage



CREATIVE STORAGE SOLUTIONS | ORGANIZE YOUR SPACE WITH STYLE



INNOVATION[®]
C A B I N E T R Y



Become Inspired

Innovation Cabinetry® and Rev-A-Shelf® join forces to redefine organizational excellence. Rev-A-Shelf® stands as a global leader in top-tier residential cabinet storage solutions.

This collaborative venture seamlessly blends the Rev-A-Shelf® innovative prowess with the Innovation Cabinetry® craftsmanship and value, creating a harmonious fusion that goes beyond the ordinary. With a shared commitment to cutting-edge approaches and customer-centric solutions, our collaboration is a testament to a culture of ingenuity. This curated catalog showcases the result - a transformative experience where two industry leaders converge to set a new standard for excellence, optimizing every space with innovation and refined craftsmanship.

Welcome to a world where collaboration breeds innovation and your organizational needs find a new pinnacle of fulfillment.

2024 Accessory Program The Ultimate Collaboration of Premium Cabinetry with Innovative Accessories

INNOVATION



Steel Bottom Mount Waste Container

- Designed for 15" and 18" base cabinets
- Powder-coated wire frame
- Full-extension, progressive roller slides w/ soft-close
- Mounts to cabinet door and floor
- Pre-assembled door-mount brackets

Steel Bottom Mount Waste Container Pullouts w/ Soft-Close Slides

PRODUCT	DESCRIPTION	DIMS	CAB	FINISH
RV-BWB15GRAY	Double 27 qt.	11-1/4" (287 mm) W x 22-3/32" (562 mm) D x 18-15/16" (482 mm) H	UB-B15	Orion Gray
RV-BWB18GRAY	Double 35 qt.	14-3/8" (366 mm) W x 22-3/32" (562 mm) D x 19" (483 mm) H	UB-B18	Orion Gray

Wood Waste Container

- Natural maple dovetail frame with semi-gloss finish
- Undermount soft-close slides
- Comes with silver waste bins
- TSCA Title VI Compliant



Value Line Bottom Mount Waste Container Drawer Box w/ Soft-Close Slides

PRODUCT	DESCRIPTION	DIMS	CAB	FINISH
RV-BWB15NMDBL	Double 27 qt.	11-1/2" (293 mm) W x 21-1/2" (547 mm) D x 19-11/16" (501 mm) H	B15	Silver/Wood
RV-BWB18NMDBL	Double 35 qt.	14-1/2" (369 mm) W x 21-1/2" (547 mm) D x 19-5/8" (499 mm) H	B18	Silver/Wood
RV-BWB21NMDBL	Double 35 qt.	17-1/2" (445 mm) W x 21-17/32" (548 mm) D x 19-5/8" (499 mm) H	B21	Silver/Wood



Aluminum Bottom Mount Waste Container

- Designed for 15" and 18" base cabinets
- 10" high door-mountable aluminum frame
- Full-extension with 1-1/2" over-travel slides w/ soft-close
- Mounts to cabinet door and floor
- Built-in door-mount brackets

Aluminum Bottom Mount Waste Container Pullouts w/ Soft-Close

PRODUCT	DESCRIPTION	DIMS	CAB	FINISH
RV-BWB15GRAYPREMIER	Double 27 qt.	11-11/16" (297 mm) W x 22-7/32" (565 mm) D x 18-29/32" (481 mm) H	B15, UB-B15	Silver/Alum
RV-BWB18GRAYPREMIER	Double 35 qt.	14-25/32" (376 mm) W x 22-3/32" (562 mm) D x 19-1/32" (484 mm) H	B18, UB-B18	Silver/Alum

Single 30 qt. LEGRABOX Bottom Mount Waste Container w/ Soft-Close

- Designed for 12" cabinets
- Orion gray LEGRABOX frame w/ maple wood top (walnut top shown)
- Single 30 qt. Orion Gray polymer waste container
- BLUM undermount soft-close slides
- Mounts to cabinet door and side walls
- TSCA Title VI Compliant



LEGRABOX Bottom Mount Waste Container Pullouts w/ Soft-Close

PRODUCT	DESCRIPTION	DIMS	CAB	FINISH
RV-BWB12GRAYMT	Single 30 qt.	10-1/2" (267 mm) W x 21-23/32" (552 mm) D x 19-19/32" (498 mm) H	B12	Orion Gray/ Maple



Wood Pullout Base Cabinet Organizer

- Natural maple construction with semi-gloss finish
- BLUM undermount soft-close slides
- Fully assembled and fits into an existing full-height cabinet
- Adjustable rub bushings for a precise fit
- Adjustable and/or removeable shelves with chrome rails
- Patented door-mount brackets (US Patent No. 8,388,076)
- TSCA Title VI Compliant

Full Access Base Cabinet Pullout w/ BLUM Soft-Close

PRODUCT	DESCRIPTION	DIMS	CAB	FINISH
RV-B6.5NMCOSC	Base Organizer	7-1/4" (185 mm) W x 21-5/8" (550 mm) D x 25-1/2" (648 mm) H	UB-B09-F	Maple
RV-B9.5NMCOSC	Base Organizer	10-1/4" (261 mm) W x 21-5/8" (550 mm) D x 25-1/2" (648 mm) H	UB-B12-F	Maple



Wood Pullout Base Cabinet Organizer w/ Utensil Bins

- Natural maple construction with semi-gloss finish
- BLUM undermount soft-close slides
- Fully assembled and fits into an existing full-height cabinet
- TSCA Title VI Compliant

Full Access Base Cabinet Pullout w/ (3) Utensil Bins and BLUM Soft-Close

PRODUCT	DESCRIPTION	DIMS	CAB	FINISH
RV-B6.5NMC0UB	Base Organizer w/ (3) 1.25 qt Bins	7-1/8" (181 mm) W x 21-21/32" (550 mm) D x 25-1/2" (648 mm) H	UB-B09-F	Maple
RV-B9.5NMC0UB	Base Organizer w/ (3) 2 qt Bins	10-1/8" (258 mm) W x 21-21/32" (550 mm) D x 25-1/2" (648 mm) H	UB-B12-F	Maple



Wood Pullout Base Cabinet Organizer w/ Knife Block & Utensil Bins

- Natural maple construction with a semi-gloss finish
- (1) removable stainless-steel bin
- Knife block features flex rod technology that adjusts to securely hold knives
- (4) color-coded flexible, dishwasher safe cutting mats with food icons to prevent cross-contamination
- Adjustable accessory and lower static shelf with chrome rails
- Patented door mount brackets provide 5" of door mounting adjustability and include micro door trim adjustment (US Patent No. 8,388,076)
- Patented design (US Patent No. 10,799,020)
- TSCA Title VI Compliant

Full Access Base Cabinet Pullout w/ Knife Block and Utensil Bins w/ BLUM Soft-Close

PRODUCT	DESCRIPTION	DIMS	CAB	FINISH
RV-B6.5GRAYUT-KNFPO	Base Organizer w/ (1) 1.25 qt. Bin	7-1/8" (182 mm) W x 21-5/8" (550 mm) D x 25-1/2" (648 mm) H	UB-B09-F	Maple
RV-B9.5GRAYUT-KNFPO	Base Organizer w/ (1) 2 qt. Bin	10-1/8" (258 mm) W x 21-5/8" (550 mm) D x 25-1/2" (648 mm) H	UB-B12-F	Maple



Paper Towel Holder Pullout

- Natural maple construction with semi-gloss finish
- BLUM undermount soft-close slides
- Fully assembled and fits into an existing full-height cabinet for easy accessibility
- Adjustable rub bushings for a precise fit
- Fits standard large rolls of paper towels for easy accessibility
- Patented door mount brackets (US Patent No. 8,388,076)
- TSCA Title VI Compliant

Paper Towel Holder Base Cabinet Pullout w/ BLUM Soft-Close

PRODUCT	DESCRIPTION	DIMS	CAB	FINISH
RV-B6.125NMPH	Paper Towel Pullout	6-7/8" (175 mm) W x 21-23/32" (552 mm) D x 26-29/32 - 30-7/8" (684 - 785 mm) H	UB-B09-F	Maple



Base Cabinet Filler w/ Soft-Close

- 3" or 6" base filler applications
- Natural maple construction with semi-gloss finish
- Creates a functional storage space behind decorative panels
- Adjustable and/or removable shelves
- TSCA Title VI Compliant

Base Cabinet Filler w/ BLUM Soft-Close

PRODUCT	DESCRIPTION	DIMS	CAB	FINISH
RV-B3NMBF	3" Base Filler Organizer	3" (77 mm) W x 23" (585 mm) D x 30" (762 mm) H	WF330, UB-F330	Maple
RV-B6NMBF	6" Base Filler Organizer	6" (153 mm) W x 23" (585 mm) D x 30" (762 mm) H	WF630, UB-F630	Maple



Tray Divider Foil Wrap Holder Pullout

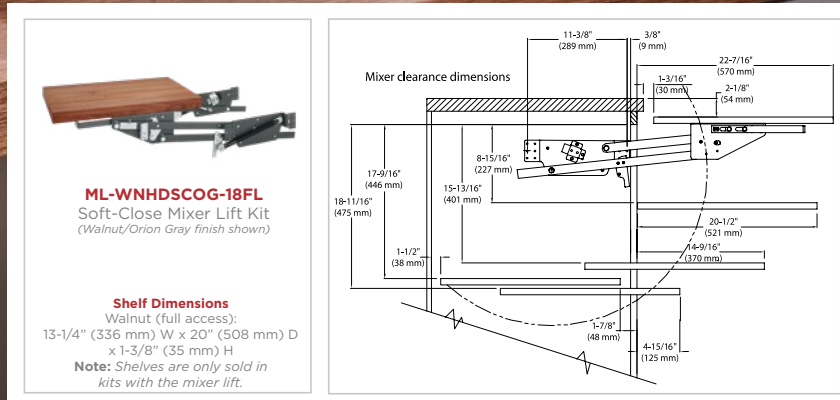
- Natural maple construction with semi-gloss finish
- BLUM undermount soft-close slides
- Organize cookie sheets, platter, baking pans, etc.
- Removable center T-Bar divider for taller items
- Fully assembled and fits into an existing full-height cabinet
- Adjustable rub bushings for a precise fit
- TSCA Title VI Compliant

Full Access Base Cabinet Pullout Tray Divider/Foil Wrap Holder w/ BLUM Soft-Close

PRODUCT	DESCRIPTION	DIMS	CAB	FINISH
RV-B6.5NMTD	Base Cabinet Pullout	7-1/8" (181 mm) W x 21-21/32" (551 mm) D x 19-1/2" (496 mm) H	UB-B09-F	Maple

Mixer Lift w/ Walnut Shelf

- Designed for 18" full-height cabinets
- Heavy-duty Orion Gray metal frame w/ walnut shelf
- Soft-Close Dampener allow it to glide back into the cabinet gently and quietly
- Spring loaded system gently assists the movement of small appliances to counter height
- (3) weight rating settings that will hold up to 60lbs
- TSCA Title VI Compliant



Heavy Duty Mixer Lift Kit w/ Soft-Close

PRODUCT	DESCRIPTION	DIMS	CAB	FINISH
RV-18WML	Mixer Lift Kit	See Illustration	UB-B18-F	Orion Gray

Contemporary Base Cabinet Pullouts

- Designed for full height base cabinet
- Orion gray flat wire w/ textured linen finish
- Fully assembled and fits into an existing full-height cabinet
- Solid bottom shelves keep items from falling thru or tipping
- Shelves are not adjustable
- Patented door mount brackets (US Patent No. 8,388,076)
- TSCA Title VI Compliant



Full Access Contemporary Base Cabinet Pullout w/ BLUM Soft-Close

PRODUCT	DESCRIPTION	DIMS	CAB	FINISH
RV-B6.5GRAYPO	Base Organizer	7-1/4" (185 mm) W x 21-11/16" (551 mm) D x 24-1/4" (616 mm) H	UB-B09-F	Orion Gray
RV-B9.5GRAYPO	Base Organizer	10-1/4" (261 mm) W x 21-11/16" (551 mm) D x 24-1/4" (616 mm) H	UB-B12-F	Orion Gray

Contemporary Base Cabinet Pullouts w/ Knife Block

- Designed for full height base cabinet
- Orion gray flat wire w/ textured linen finish
- Fully assembled and fits into an existing full-height cabinet
- Solid bottom shelves keep items from falling thru or tipping
- Comes w/ (1) flex rod knife block and (1) removable stainless-steel bin
- BLUM undermount soft-close slides
- Shelves are not adjustable
- Patented door mount brackets (US Patent No. 8,388,076)
- TSCA Title VI Compliant



Full Access Contemporary Knife Block Base Cabinet Pullout w/ BLUM Soft-Close

PRODUCT	DESCRIPTION	DIMS	CAB	FINISH
RV-B6.5GRAYPOKB	Base Organizer w/ (1) Bin	7-1/4" (185 mm) W x 21-11/16" (551 mm) D x 24-1/4" (616 mm) H	UB-B09-F	Orion Gray

Contemporary Base Cabinet Pullouts w/ Utensil Bins

- Designed for full-height base cabinets
- Orion gray flat wire w/ textured linen finish
- Fully assembled and fits into an existing full-height cabinet
- Solid bottom shelves keep items from falling through or tipping
- Comes w/ (3) 1.25 qt. removable stainless-steel bins
- BLUM undermount soft-close slides
- Shelves are not adjustable
- Patented door mount brackets (US Patent No. 8,388,076)
- TSCA Title VI Compliant



Full Access Contemporary Base Cabinet Pullout w/ (3) Utensil Bins and BLUM Soft-Close

PRODUCT	DESCRIPTION	DIMS	CAB	FINISH
RV-B6.5GRAYPOUB	Base Organizer	7-1/4" (185 mm) W x 21-11/16" (551 mm) D x 24-1/4" (616 mm) H	UB-B09-F	Orion Gray

Casserole Dish Organizer w/ Soft-Close

- Natural maple dovetail construction w/ semi-gloss finish
- Store heavy platters, dishes, pans all at your fingertips
- Customize drawer compartment with included removable dividers
- Mounts to cabinet floor
- TSCA Title VI Compliant



Casserole Dish Organizer w/ BLUM Soft-Close

PRODUCT	DESCRIPTION	DIMS	CAB	FINISH
RV-B18NMCASSO	Casserole Dish Organizer	14-1/2" (369 mm) W x 22-3/32" (562 mm) D x 10-1/2" (267 mm) H	B18, DB18	Maple

Gray Flexible Drip Tray

- Designed for kitchen and vanity sink base cabinets
- Flexible design allows for use with existing or new cabinets
- Funnels excessive water out the front of your cabinets
- Can be trimmed with scissors for a perfect fit



Flexible Drip Tray				
PRODUCT	DESCRIPTION	DIMS	CAB	FINISH
RV-B27/30GRAYDT	Drip Tray	25-1/2 - 28-1/2" (648 - 724 mm) W x 21-1/2 - 23-1/4" (547 - 591 mm) D x 3/4" (20 mm) H	SB27, SB30	Gray
RV-B33/36GRAYDT	Drip Tray	31-1/2 - 34-1/2" (801 - 877 mm) W x 21-1/2 - 23-1/4" (547 - 591 mm) D x 3/4" (20 mm) H	SB33, SB36	Gray
RV-B39/42GRAYDT	Drip Tray	37-1/2 - 40-1/2" (953 - 1029 mm) W x 21-1/2 - 23-3/4" (547 - 604 mm) D x 3/4" (20 mm) H	SB39, SB42	Gray
Flexible Drip Tray (Vanity)				
RV-VB21/24GRAYDT	Drip Tray	22-1/2" (572 mm) W x 20-1/4" (515 mm) D x 3/4" (19 mm) H	VSB24	Gray
RV-VB27/30GRAYDT	Drip Tray	28-1/2" (724 mm) W x 20-1/4" (515 mm) D x 3/4" (19 mm) H	VSB30	Gray
RV-VB33/36GRAYDT	Drip Tray	34-1/2" (876 mm) W x 20-1/4" (515 mm) D x 3/4" (19 mm) H	SB33, SB36	Gray



Orion Gray U-Shaped Solid & Full Bottom Shelves

- Designed for 33" and 36" Sink Base Cabinets
- Orion gray solid bottom shelves w/ flat wire frame
- Stack multiple baskets to maximize organization
- BLUM undermount soft-close slides
- Mounts to cabinet floor or side walls
- Pre-assembled door mount brackets
- U-Shaped fits around plumbing
- TSCA Title VI Compliant

Full Access U-Shaped Solid Bottom Shelf w/ BLUM Soft-Close

PRODUCT	DESCRIPTION	DIMS	CAB	FINISH
RV-B33GRAYUSHPSB	Solid Bottom Shelf	29-11/16 - 32" (754 - 813 mm) W x 21-17/32" (551 mm) D x 5-1/16" (146 mm) H	SB33	Orion Gray
RV-B36GRAYUSHPSB	Solid Bottom Shelf	32-11/16 - 35" (830 - 889 mm) W x 21-17/32" (551 mm) D x 5-1/16" (146 mm) H	SB36	Orion Gray



Solid Bottom Pullout Shelf

- Designed for 36" base cabinets
- Solid bottom shelves with chrome-plated wire, gray or natural maple, or orion gray flat wire with satin solid bottom
- Full-extension, undermount slides w/ BLUM soft-close
- Side and bottom mounting brackets
- Door-mounting brackets included
- TSCA Title VI compliant

Face Frame Solid Bottom Pullout Shelf w/ BLUM Soft-Close

PRODUCT	DESCRIPTION	DIMS	CAB	FINISH
RV-B36GRAYSBPOS	Solid Bottom Shelf	32-11/16" (831 mm) W x 21-17/32" (547 mm) D x 5-1/16" (129 mm) H	SB36, B36	Orion Gray

Contemporary Cutlery Tray Insert

- Polystyrene construction with glossy finish in Orion gray
- Trim-to-fit existing drawer
- Drop-in installation
- Up to (6) compartments



Glossy Polymer Cutlery Tray				
PRODUCT	DESCRIPTION	DIMS	CAB	FINISH
RV-DB18GRAYCT	Cutlery Tray	14-1/4" (362 mm) W x 21-1/4" (540 mm) D x 2-3/8" (61 mm) H	B18, DB18	Polymer
RV-DB24GRAYCT	Cutlery Tray	21-7/8" (556 mm) W x 21-1/4" (540 mm) D x 2-3/8" (61 mm) H	B24, DB24	Polymer



Drawer Peg System

- Recommended for 8" or deeper drawers
- Natural maple construction with semi-gloss finish
- Trim-to-Fit existing drawer
- Includes pegs
- Perfect for dishes and other platters
- Drop-in installation
- TSCA Title VI Compliant

Drawer Peg System				
PRODUCT	DESCRIPTION	DIMS	CAB	FINISH
RV-DBNMSPEG	Peg System w/ (9) Pegs	24-1/4" (616 mm) W x 21-1/4" (540 mm) D x 6-5/8" (168 mm) H	DB27-3 W/O Trim, DB24-3 W/ Trim	Maple
RV-DBNMMPEG	Peg System w/ (12) Pegs	30-1/4" (768 mm) W x 21-1/4" (540 mm) D x 6-5/8" (168 mm) H	DB33 W/O Trim, DB30 W/ Trim	Maple
RV-DBNMLPEGA	Peg System w/ (16) Pegs	39-1/4" (997 mm) W x 21-1/4" (540 mm) D x 6-5/8" (168 mm) H	DB36 W/ Trim	Maple
Accessories				
RV-NMPEG-4	(4) Maple Pegs	1-5/8" (41 mm) W x 1-5/8" (41 mm) D x 6-1/2" (165 mm) H	N/A	Maple



Contemporary Drawer Peg Board

- Natural maple construction with sound dampening vinyl covering
- Perfect for dishes or other platters
- Trim to fit
- Stainless-steel pegs sold seperately (RV-GRAYPEG-4)
- TSCA Title VI Compliant

Drawer Peg Board - No Pegs				
PRODUCT	DESCRIPTION	DIMS	CAB	FINISH
RV-GRAY24PEG	Vinyl Drawer Peg Board	24-1/8" (613 mm) W x 21-1/4" (540 mm) D x 5/8" (16 mm) H	DB-(24-36)-2, DB-(24-36)-3	Vinyl
RV-GRAY30PEG	Vinyl Drawer Peg Board	30-1/8" (765 mm) W x 21-1/4" (540 mm) D x 5/8" (16 mm) H	DB-(24-36)-2, DB-(24-36)-3	Vinyl
RV-GRAY39PEG	Vinyl Drawer Peg Board	39-1/8" (994 mm) W x 21-1/4" (540 mm) D x 5/8" (16 mm) H	DB-(24-36)-2, DB-(24-36)-3	Vinyl
Accessories				
RV-GRAYPEG-4	(4) Stainless-Steel Pegs	1-1/4" (32 mm) W x 1-1/4" (32 mm) D x 6" (153 mm) H	N/A	Stainless Steel



Natural Maple Wood Spice Drawer Insert

- Natural maple construction with semi-gloss finish
- Product can simply be dropped into drawer or trimmed to a custom fit
- (1) rear compartment and up to (3) tiers of shelving
- TSCA Title VI Compliant

Wood Spice Drawer Insert

PRODUCT	DESCRIPTION	DIMS	CAB	FINISH
RV-B12-18NMDISPICE	Spice Drawer Insert	16" (407 mm) W x 19-3/4" (502 mm) D x 1-9/16" (39 mm) H	B12-B18	Maple



Wood Knife Block Insert

PRODUCT	DESCRIPTION	DIMS	CAB	FINISH
RV-B18NMKBWD	Knife Block Insert	18-1/2" (470 mm) W x 22" (559 mm) D x 2-3/8" (60 mm) H	B21	Maple

Wood Knife Block Inserts

- Natural maple construction with semi-gloss finish
- Trim-to-fit existing drawer
- Drop-in installation
- (1) compartment and up to (19) w/ knife slots
- TSCA Title VI Compliant



Wood Cutlery Tray Insert

PRODUCT	DESCRIPTION	DIMS	CAB	FINISH
RV-B12-18NMDI	Cutlery Tray	14-5/8" (372 mm) W x 22" (559 mm) D x 2-7/8" (73 mm) H	B12-B18	Maple

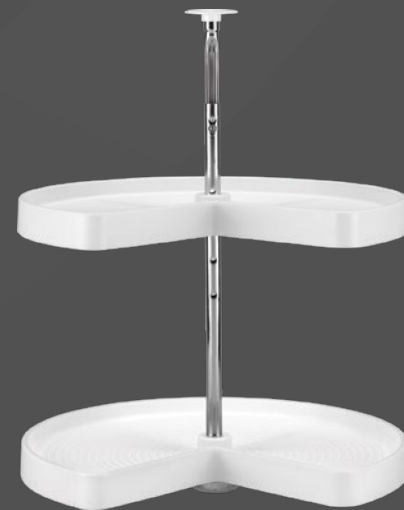
Cutlery Tray Inserts

- Trim-to-fit existing drawer
- Drop-in installation
- Maple construction with semi-gloss finish or walnut construction with satin finish
- Up to (9) compartments
- TSCA Title VI compliant



Maple (2) Shelf Wood Kidney-Shaped Lazy Susan

- 2" wood rim
- Doweled (2) butt joint
- 5/8" thick maple shelf bottom
- Independently rotating
- Almond hardware
- Designed for corner base cabinet
- TSCA Title VI Compliant



(2) Shelf Banded Wood Lazy Daisy w/ 28"-31" (711-788 mm) Telescoping Post				
PRODUCT	DESCRIPTION	DIMS	CAB	FINISH
RV-B28NMKSLZ	(2) Shelf Set	28" (711 mm) Diameter	BLS33	Maple
RV-B32NMKSLZ	(2) Shelf Set	32" (813 mm) Diameter	BLS36	Maple
(2) Shelf Polymer Lazy Daisy w/ 26"-31" Telescoping Post				
RV-B28WHTKSLZ	(2) Shelf Set	28" Diameter (711 mm)	BLS33	Polymer
RV-B32WHTKSLZ	(2) Shelf Set	32" Diameter (813 mm)	BLS36	Polymer



Orion Gray Kidney-Shaped Lazy Susan

- Designed for 36" corner base cabinets
- Orion gray solid bottom shelves
- Shelves are adjustable
- Independently rotating hardware and chrome-plated telescoping posts
- TSCA Title VI Compliant

(2) Shelf Solid Bottom Kidney-Shaped Lazy Susans for 36" Kidney Cabinets				
PRODUCT	DESCRIPTION	DIMS	CAB	FINISH
RV-B32GRAYKSLZ	(2) Shelf Set	32" (813 mm) Diameter	BLS36	Orion Gray



Contemporary Girasolo Blind Corner Optimizer

- Designed for 12" & 15" blind corner openings
- Double maple solid bottom adjustable shelves w/ round wire design
- Soft-opening and closing systems
- Options for both left and right blind corner cabinets
- Italian design
- TSCA Title VI Compliant

Two-Tier Blind Corner Optimizer for Right Door/Blind Left Cabinets

PRODUCT	DESCRIPTION	DIMS	CAB
RV-BB12NMBCOR	Double for 12" Cabinet Opening	32-23/32" (832 mm) W x 14-13/32" (367 mm) D x 24-13/32 - 30-11/16" (621 - 780 mm) H	BBC39-LEFT
RV-BB15NMBCOR	Double for 15" Cabinet Opening	35-1/2" (902 mm) W x 16-7/16" (418 mm) D x 24-1/2 - 30-1/2" (623 - 775 mm) H	BBC42-LEFT

Two-Tier Blind Corner Optimizer for Left Door/Blind Right Cabinets

PRODUCT	DESCRIPTION	DIMS	CAB
RV-BB12NMBCOL	Double for 12" Cabinet Opening	32-23/32" (832 mm) W x 14-13/32" (367 mm) D x 24-13/32 - 30-11/16" (621 - 780 mm) H	BBC39-RIGHT
RV-BB15NMBCOL	Double for 15" Cabinet Opening	35-1/2" (902 mm) W x 16-7/16" (418 mm) D x 24-1/2 - 30-1/2" (623 - 775 mm) H	BBC42-RIGHT

Half Moon Maple Susan for Blind Corner Cabinets

- Designed for 12" blind corner cabinet openings
- Double solid bottom natural wood shelves w/ chrome-plated shafts
- Pivot and Slide hardware
- Non-handed - can fit left or right blind cabinets
- TSCA Title VI Compliant



Natural Wood Pivot and Slide Half-Moon 2-Shelf Organizer for Blind Corner Cabinets

PRODUCT	DESCRIPTION	DIMS	CAB	FINISH
RV-B32NMOONLZ	Natural Wood Half Moon (2) Tray Set	32-1/4" (819 mm) W x 14-1/16" (357 mm) D x 16" (406 mm) H	BBC39	Maple



Orion Gray Solid Bottom Blind Corner Optimizer

- Designed for 15" & 18" blind corner cabinet openings
- (4) Textured linen solid bottom shelves with orion grays
- Non-Handed - can fit either left or right blind cabinets
- Baskets are adjustable and removeable for shorter/taller items
- Unit slides completely outside of cabinet for hard to reach items
- Mounts to cabinet floor
- Full-extension, ball-bearing slides w/ soft-close
- TSCA Title VI Compliant

Two-Tier Solid Bottom Blind Corner Optimizer - Non-Handed w/ Soft-Close

PRODUCT	DESCRIPTION	DIMS	CAB	FINISH
RV-BB15GRAYBCO	Two-Tier Blind Corner Optimizer	26-1/4" (667 mm) W x 20-1/4" (514 mm) D x 21" (533 mm) H	BBC42, BBC45	Orion Gray

Elite Two-Tier Solid Bottom Blind Corner Optimizer - Non-Handed w/ Soft-Close

PRODUCT	DESCRIPTION	DIMS	CAB	FINISH
RV-BB18GRAYBCO	Two-Tier Blind Corner Optimizer	32-1/4" (820 mm) W x 20-13/32" (519 mm) D x 23-1/2" (597 mm) H	BBC45	Orion Gray



Solid Bottom Pull-Down Shelving System

- Designed for a 24" & 36" frameless wall cabinets
- Solid bottom shelves
- Mounts to cabinet floor and side walls
- Gas-assisted with a lifting/lowering mechanism
- Locks into down position for hands-free accessibility
- TSCA Title VI Compliant

Solid Bottom Pull-Down Shelving System

PRODUCT	DESCRIPTION	DIMS	CAB	FINISH
RV-24FOG-PD	Pull-Down	22-3/16" (564 mm) W x 10-1/8" (258 mm) D x 18-7/32" (463 mm) H	W2412-W2442	Orion Gray/ Walnut
RV-36FOG-PD	Pull-Down	34-1/32" (865 mm) W x 10-1/8" (258 mm) D x 18-7/32" (463 mm) H	W3612-W3642	Orion Gray/ Walnut



12" Chrome Tray Divider w/ Clips

- Mounts to cabinet floor and rear wall
- Works with base or wall cabinets
- Chrome-plated round wire
- Includes (4) screw-in clips and fasteners
- Use multiple to create custom storage space

Chrome Wire Tray Divider

PRODUCT	DESCRIPTION	DIMS	FINISH
RV-12TD	Tray Divider with Clips	3/4" (20 mm) W x 19-21/32" (500 mm) D x 12" (305 mm) H	Chrome Wire

Maple L-Shaped

- Designed for a 24" vanity base cabinet
- Natural maple dovetail construction w/ semi-gloss finish
- BLUM undermount soft-close slides
- Unique L-Shaped design works around plumbing and other obstructions
- Can be installed on left or right side



L-Shaped Vanity Organizer w/ BLUM Soft-Close

PRODUCT	DESCRIPTION	DIMS	CAB	FINISH
RV-VBWB24NMOL-SHAPE	Vanity Organizer for 24"	8-1/2" (216 mm) W x 18-25/32" (478 mm) D x 18-7/8" (480 mm) H	VSB24	Maple

Maple U-Shaped Vanity Pullout w/ BLUM Soft-Close

- Designed for a 30" vanity base cabinet
- Natural maple dovetail construction w/ semi-gloss finish
- BLUM undermount soft-close slides
- Unique U-Shaped design works around plumbing and other obstructions
- Non-Skid Vinyl lining in lower shelf
- Patented design (US Patent No. D854,359)
- TSCA Title VI Compliant



U-Shaped Vanity Pullout w/ BLUM Soft-Close

PRODUCT	DESCRIPTION	DIMS	CAB	FINISH
RV-B30NMVPOBM	Bottom Mount	25-21/32" (652 mm) W x 18-11/16" (475 mm) D x 14-1/4" (362 mm) H	VSB30	Maple
RV-B30NMVPOSM	Side Mount	27-9/16 - 28-3/4" (700 - 731 mm) W x 19 - 20-3/4" (483 - 528 mm) D x 6-1/2" (166 mm) H	VSB30	Maple

Bottom Mount Vanity Waste Container w/ BLUM Soft-Close

- Natural maple dovetail frame with semi-gloss finish
- BLUM undermount soft-close slides
- Comes with (1) 20 qt. metallic silver waste container
- Rear storage area
- TSCA Title VI Compliant



Bottom-Mount Vanity Waste Container w/ BLUM Soft-Close

PRODUCT	DESCRIPTION	DIMS	CAB	FINISH
RV-VBWB15NMWBMM	Single 20 qt.	8-5/8" (220 mm) W x 18-9/16" (472 mm) D x 13-15/16" (355 mm) H	B15 (Reduced Depth)	Metallic Silver/Maple

DISCLAIMER: The cabinetry featured in this catalog is intended for display purposes only and does not represent the products carried by Innovation Cabinetry. The images and designs are provided solely for illustrative and promotional use. For accurate information regarding Innovation Cabinetry's current product offerings, please visit www.innovationcabinetry.com or contact our sales team directly.

WARRANTY

As an Authorized Rev-A-Shelf Seller, Innovation Cabinetry ensures that the products we offer to our customers are covered by the existing Rev-A-Shelf Warranty detailed below. Please note that Innovation Cabinetry will not process any warranty claims. Instead, please contact Rev-A-Shelf® directly at 1.800.626.1126. Be prepared to provide information about the product and its condition, and the original date of purchase. Rev-A-Shelf® reserves the right to request proof of purchase at its sole discretion.

REV-A-SHELF® COMPANY, LLC (“REV-A-SHELF”) WARRANTS ITS PRODUCTS (INCLUDING BUT NOT LIMITED TO THOSE WITH THE REV-A-SHELF® AND TRESKO LIGHTING® BRANDS) (HEREIN, “PRODUCTS”) TO BE FREE FROM DEFECTS IN MATERIAL AND WORKMANSHIP FOR A LIMITED PERIOD OF TIME FROM THE DATE OF ORIGINAL PURCHASE AS SPECIFIED IN THE REV-A-SHELF COMPANY, LLC LIMITED WARRANTY DURATION CHART (“DURATION CHART”) AT www.rev-a-shelf.com/our-warranty. YOU MAY ALSO CONTACT REV-A-SHELF® AT 1.800.626.1126 FOR A COPY OF THE DURATION CHART. THIS WARRANTY IS LIMITED TO THE ORIGINAL END USER OF THE PRODUCTS. BECAUSE REV-A-SHELF® CANNOT CONTROL THE QUALITY OF PRODUCTS SOLD BY UNAUTHORIZED SELLERS, THIS LIMITED WARRANTY APPLIES ONLY TO PRODUCTS THAT WERE PURCHASED FROM REV-A-SHELF OR A REV-A-SHELF® AUTHORIZED SELLER, UNLESS OTHERWISE PROHIBITED BY LAW. REV-A-SHELF® RESERVES THE RIGHT TO REJECT WARRANTY CLAIMS FOR PRODUCTS PURCHASED FROM UNAUTHORIZED SELLERS, INCLUDING UNAUTHORIZED INTERNET SITES.

THIS LIMITED WARRANTY ALSO DOES NOT COVER ANY DEFECTS DUE TO NORMAL WEAR AND TEAR, DAMAGE DUE TO MISUSE, ALTERATION TO THE PRODUCT, NEGLIGENCE, OR FOR ANY FAILURE OF THE PRODUCTS THAT RESULTS FROM EXTERNAL CAUSES SUCH AS: ACTS OF NATURE; PHYSICAL DAMAGE; EXPOSURE TO ADVERSE OR HAZARDOUS CHEMICAL OR OTHER SUBSTANCES, USE OF REACTIVE CLEANING AGENTS AND/OR HARSH CHEMICALS TO CLEAN THE PRODUCTS; ENVIRONMENTAL CONDITIONS; VANDALISM; FIRE; POWER FAILURE, IMPROPER POWER SUPPLY, POWER SURGES OR DIPS; IMPROPER USE, INSTALLATION, HANDLING, ALTERATION, STORAGE, THE FAILURE TO ABIDE BY ANY PRODUCT CLASSIFICATIONS OR CERTIFICATIONS, OR FAILURE TO COMPLY WITH ANY APPLICABLE STANDARDS, CODES, RECOMMENDATIONS, PRODUCT SPECIFICATION SHEETS OR INSTRUCTION SHEETS BY REV-A-SHELF®; FAILURES OR PERFORMANCE ISSUES ARISING FROM USE OF THE PRODUCTS WITH THIRD PARTY PRODUCTS, PROCESSES, OR MATERIALS SUPPLIED BY ANY END USER OR THIRD PARTY. THIS LIMITED WARRANTY ALSO DOES NOT COVER ANY REPLACEABLE BATTERIES INCLUDED WITH ITEMS OR CORDS OF ANY TYPE. THERE ARE NO WARRANTIES WHICH EXTEND BEYOND THOSE STATED HEREIN. ANY IMPLIED WARRANTIES THAT MAY BE APPLICABLE TO PRODUCTS, INCLUDING IMPLIED WARRANTIES OF MERCHANTABILITY OR FITNESS FOR A PARTICULAR PURPOSE, ARE LIMITED IN DURATION TO THE DURATION OF THIS WARRANTY. SOME STATES DO NOT ALLOW LIMITATIONS ON HOW LONG AN IMPLIED WARRANTY LASTS, SO THE ABOVE LIMITATION MAY NOT APPLY TO YOU.

REV-A-SHELF SHALL NOT BE LIABLE FOR INCIDENTAL OR CONSEQUENTIAL LOSSES, DAMAGES OR EXPENSES, DIRECTLY OR INDIRECTLY ARISING FROM THE SALE, HANDLING OR USE OF THE PRODUCTS, OR FROM ANY OTHER CAUSE RELATING DIRECTLY OR INDIRECTLY THERETO, AND REV-A-SHELF’S LIABILITY IN ANY CASE IS EXPRESSLY LIMITED TO THE REPAIR OR REPLACEMENT (IN THE FORM ORIGINALLY SHIPPED) OF THE DEFECTIVE PRODUCTS, OR, AT REV-A-SHELF’S ELECTION, TO THE REPAYMENT OF, OR CREDIT OF, CLAIMANT WITH AN AMOUNT EQUAL TO THE PURCHASE PRICE OF SUCH PRODUCT, WHETHER SUCH CLAIMS ARE FOR BREACH OF WARRANTY, NEGLIGENCE, OR OTHERWISE. ANY ACTION FOR DAMAGE MUST BE COMMENCED AFTER THE ACCRUAL OF THE CAUSE OF ACTION. SOME STATES DO NOT ALLOW THE EXCLUSION OR LIMITATION OF INCIDENTAL OR CONSEQUENTIAL DAMAGES, SO THE ABOVE LIMITATION OR EXCLUSION MAY NOT APPLY TO YOU. THIS WARRANTY GIVES YOU SPECIFIC LEGAL RIGHTS, AND YOU MAY ALSO HAVE OTHER RIGHTS WHICH VARY FROM STATE TO STATE.

To make a warranty claim, please contact Rev-A-Shelf® at 1.800.626.1126 and be prepared to answer questions regarding the Product and its condition, the original date of purchase, and from whom you purchased the Product. Rev-A-Shelf® reserves the right to request proof of purchase, in its sole discretion. Rev-A-Shelf® shall have the right to require the claimant, at claimant’s expense, to return to a designated factory for inspection or repair any Product claimed to be defective. The determination of Rev-A-Shelf® as to the existence of a valid claim for replacement, repair, refund, or Rev-A-Shelf® credit under this warranty, shall be conclusive. Claimant shall be responsible for the labor costs in removing a defective Product. Claimant shall also be responsible for the shipping and handling costs associated with any repaired product or replacement product. In limited circumstances, Rev-A-Shelf®, in its sole discretion, may waive such fees. Replacement parts shall be furnished F.O.B. factory. Any Product that is returned without production code stickers or stamps will automatically be denied under these warranty terms.

AMERICAN PROUD

Rev-A-Shelf® is a Louisville-based and family-owned business for 3 generations. We are proud to partner with them to strengthen the success of American-based businesses.



9" Spice Rack Base Cabinet

- Innovation Cabinetry accessory
- Cabinet & spice pull out included
- 3-Fixed shelves with side panels
- Maple veneer plywood with dado joint construction
- Full extension soft-close glides
- Includes installation instructions

Available in: Maduro, Classic White, Shaker White, Pearl, Storm Gray and Imperial Blue

Spice Rack Pull Out Base Cabinet

PRODUCT	DESCRIPTION	DIMS	CAB	FINISH
BSR09	Spice Rack Pull Out Base Cabinet	9" (228.6 mm) W x 34-1/2" (876.3 mm) D x 24" (609.6 mm) H	B09 Included	Maple Interior

**EliteCraft™
Roll Out Trays**

- Innovation Cabinetry accessory
- Designed for 15” – 36” base cabinets and tall pantry cabinets
- Includes installation block and instructions
- Solid maple sides with a veneered plywood bottom, featuring dovetail construction
- Full-extension, undermount glides with soft close



**Urban™
Roll Out Trays**

- Innovation Cabinetry accessory
- Designed for 15” – 36” base cabinets and tall pantry cabinets
- Slim 1/2” double-walled metal drawer with a 5/8” plywood bottom and rear supports
- Includes installation block and instructions
- Full-extension, undermount glides with soft close



Roll Out Trays - Full Extension Soft-Close Glides

PRODUCT	DESCRIPTION	DIMS	CAB	FINISH
H-ROT15	Roll Out Tray	9-3/4" (247.65 mm) W x 20" (508 mm) D x 4-1/8" (104.775 mm) H	B15	Maple
H-ROT18	Roll Out Tray	12-3/4" (323.85 mm) W x 20" (508 mm) D x 4-1/8" (104.775 mm) H	B18	Maple
H-ROT21	Roll Out Tray	15-3/4" (400.05 mm) W x 20" (508 mm) D x 4-1/8" (104.775 mm) H	B21	Maple
H-ROT24	Roll Out Tray	18-3/4" (476.25 mm) W x 20" (508 mm) D x 4-1/8" (104.775 mm) H	B24	Maple
H-ROT27	Roll Out Tray	21-3/4" (552.45 mm) W x 20" (508 mm) D x 4-1/8" (104.775 mm) H	B27	Maple
H-ROT30	Roll Out Tray	24-3/4" (628.65 mm) W x 20" (508 mm) D x 4-1/8" (104.775 mm) H	B30	Maple
H-ROT33	Roll Out Tray	27-3/4" (704.85 mm) W x 20" (508 mm) D x 4-1/8" (104.775 mm) H	B33	Maple
H-ROT36	Roll Out Tray	30-3/4" (781.05 mm) W x 20" (508 mm) D x 4-1/8" (104.775 mm) H	B36	Maple

Roll Out Trays - Full Extension Soft-close Glides

PRODUCT	DESCRIPTION	DIMS	CAB	FINISH
UB-ROT15	Roll Out Tray	10" (254 mm) W x 19-5/8" (498.475 mm) D x 19" (482.6 mm) H	B15	Gray/White
UB-ROT18	Roll Out Tray	18" (457.2 mm) W x 19-5/8" (498.475 mm) D x 19" (482.6 mm) H	B18	Gray/White
UB-ROT21	Roll Out Tray	21" (533.4 mm) W x 19-5/8" (498.475 mm) D x 19" (482.6 mm) H	B21	Gray/White
UB-ROT24	Roll Out Tray	24" (609.6 mm) W x 19-5/8" (498.475 mm) D x 19" (482.6 mm) H	B24	Gray/White
UB-ROT27	Roll Out Tray	27" (685.8 mm) W x 19-5/8" (498.475 mm) D x 19" (482.6 mm) H	B27	Gray/White
UB-ROT30	Roll Out Tray	30" (762 mm) W x 19-5/8" (498.475 mm) D x 19" (482.6 mm) H	B30	Gray/White
UB-ROT33	Roll Out Tray	33" (838.2 mm) W x 19-5/8" (498.475 mm) D x 19" (482.6 mm) H	B33	Gray/White
UB-ROT36	Roll Out Tray	36" (914.4 mm) W x 19-5/8" (498.475 mm) D x 19" (482.6 mm) H	B36	Gray/White

10-YEAR LIMITED WARRANTY



Innovation Cabinetry,® LLC warrants to the original residential end-user that our cabinetry products shall be free from defects in material and workmanship under normal use for a period of ten (10) years from the date of shipment and that all hardware products shall be free from defects.

This warranty is only applicable to RTA products including accessories used in residential applications within the United States and is nontransferable to subsequent end-users or owners. Should defects in material exist or occur during the warranty period Innovation Cabinetry,® LLC will elect, at its sole discretion, to either (1) repair or replace the defective component free of charge to the end-user or (2) refund the purchase price of the defective component. This warranty covers only materials and components of RTA products supplied by Innovation Cabinetry,® LLC. This warranty does not cover costs or labor to remove and reinstall counter tops, appliances, plumbing fixtures, electrical outlets, etc.

This warranty shall become void if the cabinets are in any way modified, improperly installed, or damaged before or during the installation process. This warranty shall become void if used in any application other than the standard uses for residential cabinetry. Furthermore, this warranty will not apply to cabinets damaged by misuse, neglect, abuse, acts of God, exposure to moisture, exposure to extreme temperatures, superficial cracks in paint at the wood joints caused by the natural expansion and contraction of components, or the effects of normal wear and tear.

Natural woods vary in color and characteristics and exhibit subtle changes as they age. Sunlight, smoke, household cleaners, and other environmental conditions may also affect the color match over time. These variations are considered the nature of the materials in relation to their environment and exposures and are not covered under this warranty.

Innovation Cabinetry,® LLC reserves the right to alter design, specifications, and material without obligation to make similar changes to RTA products previously manufactured. The repair(s) or replacement(s) is contingent upon the current RTA product offerings of style and construction options within the Innovation Cabinetry,® LLC RTA product line at the time of the warranty claim. If a warranty claim is filed after an RTA product becomes obsolete, Innovation Cabinetry,® LLC reserves the right to honor the warranty in one of the following fashions:

To replace the affected component with a new component of the same style.

To replace the affected component and any other component(s) in the residential application to achieve a reasonably uniform appearance with a similar and comparable RTA product style of the originally purchased style. Refund the purchase price of the defective component.

If cabinetry components are replaced, Innovation Cabinetry,® LLC cannot guarantee that the finish of these replacements will exactly match the finish and appearance of the components in the existing residential application. This is due to natural variations and changes during the woods' natural aging process, affecting its color and grain.

THIS LIMITED WARRANTY IS THE EXCLUSIVE WARRANTY OF INNOVATION CABINETRY,® LLC. IT IS EXTENDED IN LIEU OF AND TO THE EXCLUSION OF ALL OTHER WARRANTIES, EXPRESS, IMPLIED, OR STATUTORY, INCLUDING ANY IMPLIED WARRANTY OF MERCHANTABILITY OR FITNESS FOR A PARTICULAR PURPOSE. IN NO EVENT SHALL INNOVATION CABINETRY,® LLC'S LIABILITY EXCEED THE BUYER'S PURCHASE PRICE. THE LIMITED WARRANTY RUNS ONLY TO THE ORIGINAL END-USER OF THE RTA PRODUCTS. THE LIMITED WARRANTY IS NOT INTENDED TO, AND DOES NOT RUN TO ANY SUBSEQUENT BUYER OR END-USER, NOR MAY IT BE TRANSFERRED TO ANY OTHER PERSON, UNLESS OTHERWISE SPECIFICALLY STATED IN WRITING BY AN OFFICER OF INNOVATION CABINETRY,® LLC. IN NO EVENT SHALL INNOVATION CABINETRY,® LLC BE LIABLE TO THE END-USER OR ANY THIRD PARTY FOR SPECIAL, COLLATERAL, INCIDENTAL, CONSEQUENTIAL, OR PUNITIVE DAMAGES.

This warranty gives you specific legal rights, and you may have other rights, which vary from state to state. Some states do not allow the exclusion or limitation of incidental or consequential damages, so the above limitations or exclusions may not apply to you.

To make a claim under this Limited Warranty, you must first contact your authorized Innovation Cabinetry,® LLC dealer or distributor, who will arrange for an inspection of the cabinetry products. Innovation Cabinetry,® LLC must verify the date of purchase and the products purchased to extend benefits from this warranty. We recommend you retain receipts for your product purchases.

Thank you for purchasing Innovation Cabinetry,® LLC's highquality cabinetry products! We trust that our products will bring you many years of outstanding service and appearance.

GET SOCIAL WITH US!

Follow Innovation cabinetry on Facebook, Instagram, YouTube, LinkedIn and Pinterest



We love to see your projects. Tag us on Instagram @Innovationcabinetry



INNOVATION[®] C A B I N E T R Y

INNOVATION CABINETRY

7030 Anderson Road | Tampa, Florida 33634

727-535-7667 | 888-206-1088 | Fax 813-884-0007

info@InnovationCabinetry.com | InnovationCabinetry.com



DISCLAIMER: The cabinetry featured in this catalog is intended for display purposes only and does not represent the products carried by Innovation Cabinetry. The images and designs are provided solely for illustrative and promotional use. For accurate information regarding Innovation Cabinetry's current product offerings, please visit www.innovationcabinetry.com or contact our sales team directly.